

PARAX<sup>®</sup>  
MADE WITH PASSION

# FITTING GUIDE - D-RACK

## DOES MY BIKE FIT ON THE D-RACK?

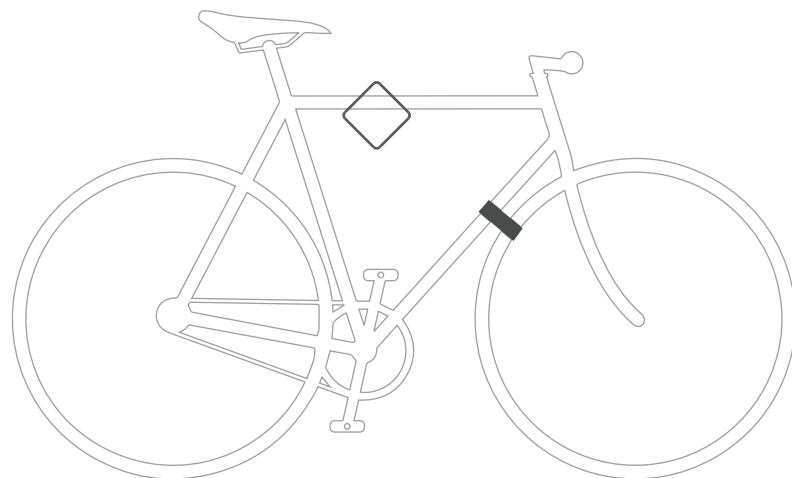
With our Fitting Guide you can easily find out if your bike fits on our D-Rack.

The best bikes are those with a diamond frame. The top tube can be horizontal or slightly inclined. A square of 10x10cm (3.92") should fit into the triangle of top tube, bottom tube and saddle tube.

Max. handlebar width size M: 52cm

Max. handlebar width size L: 66cm

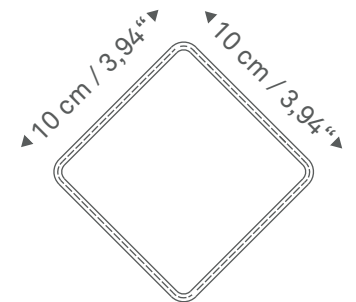
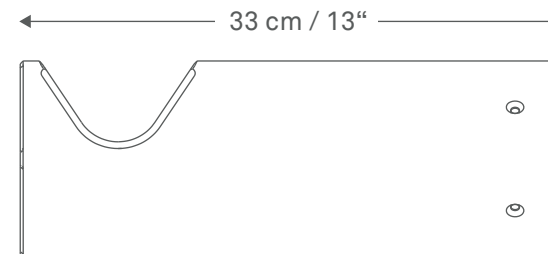
Our D-Rack is very stable. However, the maximum weight of your bike should not exceed 20kg. Of course your wall should be load bearing.



### SIDE VIEW

### FRONT VIEW

D-Rack / Size M - Handlebar up to 52 cm (20.5")



D-Rack / Size L - Handlebar up to 66 cm (26")

